

RAW WATER INLET
Ø0.75 I.D. HOSE

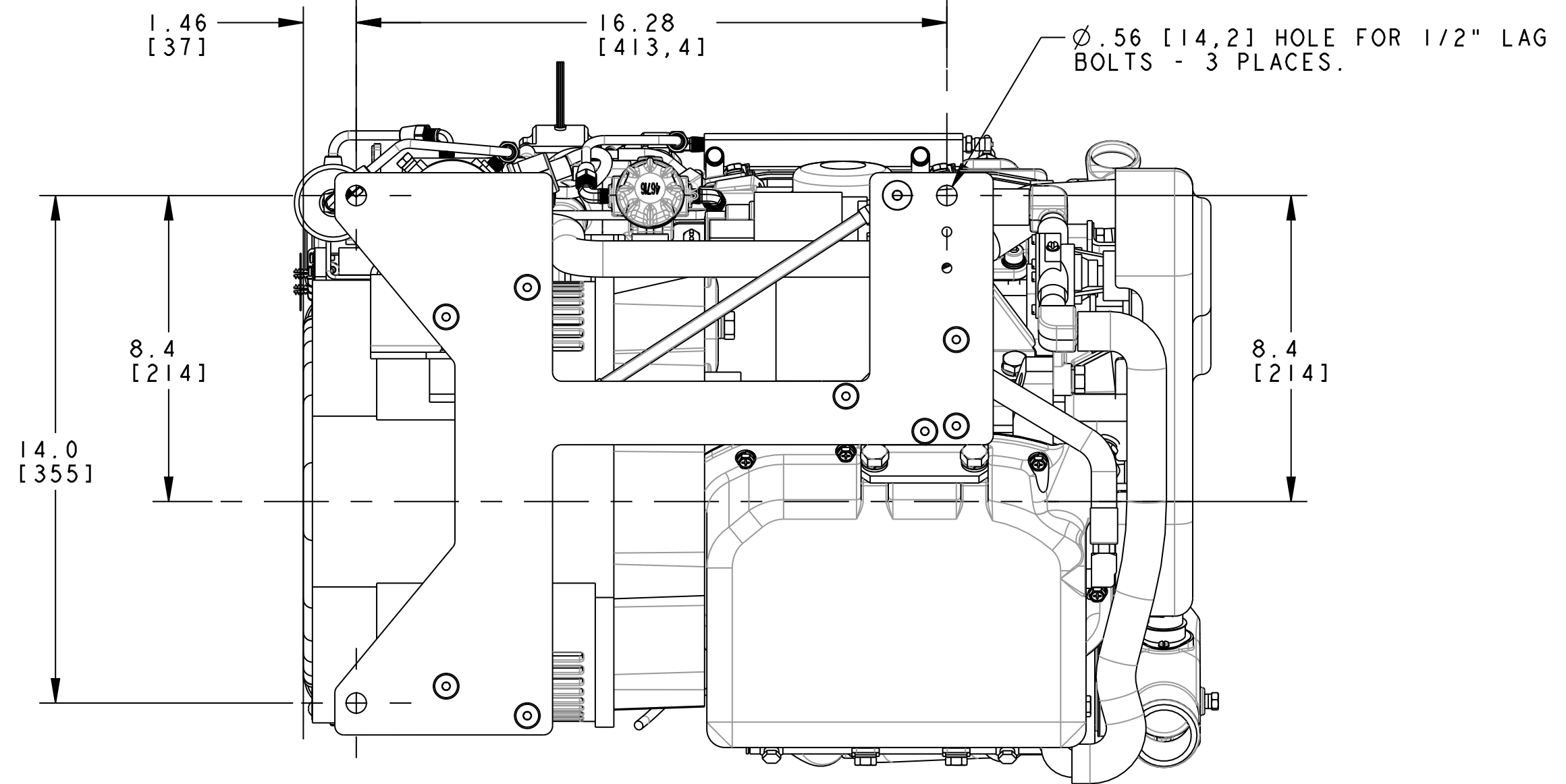
CUSTOMER FUEL CONNECTION
1/8-27 NPT FEMALE

BELT GUARD

EXHAUST OUTLET
Ø2.00 I.D. HOSE

RAW WATER DISCHARGE
Ø.75 I.D. HOSE

A.C. CONNECTION WIRING
OUTLET



NUMBERS IN BRACKETS ARE IN MILLIMETERS

TOLERANCES (UNLESS OTHERWISE NOTED)			
INCHES	MILLIMETERS		
.XX : .02	.X : ± 1.0	INSTALLATION DRAWING	
.XXX : .005	.X : ± .5	5.0 MCG	
CAST : .03	.XX : ± .13		
ANGLES : 5°			
FINISH : 3/32			
DIMENSIONS		DRAWN BY	DATE
INCHES		GA	26/Sep/12
MILLIMETERS		APPROVED BY	DATE
(WHEN APPLICABLE)		SCALE 0.280	SIZE
		SHT. 1 OF 2	DRAWING NUMBER
			55567
			REV.
			-